

**CODE NUMBER**

3335188

**DESCRIPTION**

Plug Adapter Power Supply, Integrated Thermostatic Mixer, Polished Chrome Finish, 1.0 gpm, Laminar Spray, Infrared Sensor, Optima® Hardwired-Powered Deck-Mounted Mid Body Faucet.

**DETAILS**

- Flow Rate: 1.0 gpm (4 Lpm) (1.0GPM)
- Spray Type: Laminar (LAM)
- Sensor Type: Infrared (IR)
- Mounting Type: Single Hole ( )
- Power Supply: Plug Adapter (PLG)
- Temperature Mixer: Integrated Thermostatic Mixer (ITM)
- Finish: Polished Chrome (CP)
- Factory Default Timeout: 30s
- Factory Default GPC: 0.25

**FEATURES**

Commercial Grade, ADA Compliant, Electronic, Sensor-Activated, Cast Brass Hand Washing Faucet with the following features:

- Double Infrared Sensors with Automatic Setting Feature and Microprocessor
- Automatic Self-adapting Sensor Technology
- Magnetic Solenoid Valve
- Water Supply Connection with Flexible High-pressure Hose and Strainer
- 6 Volt DC Plug-in Adapter (must be ordered separately for Less Adapter/Transformer (-LT) faucets)
- Appropriate Mounting Hardware included
- Integrated, in spout thermostatic mixing valve that meets ASSE-1070 rating for anti-scald performance
- IQ-Click feature permits activation of continuous run and temporary off modes
- Daisy Chain Electrical Splitter Cable included with Less transformer (-LT) faucets

**ELECTRICAL SPECIFICATIONS**

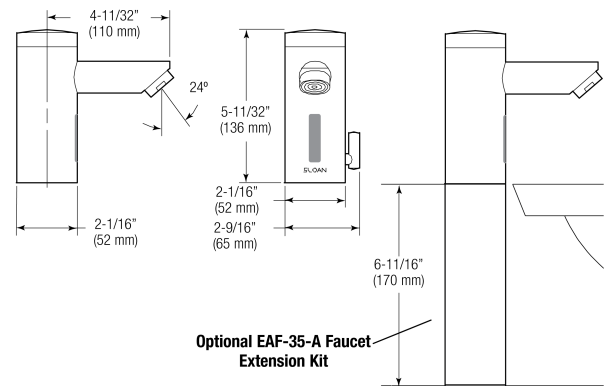
- Sensor Range: 4" - 5" (102 - 127mm)
- Timeout Adjustment Settings: 30s

**VIDEOS**



**DOWNLOADS**

- [EAF 200/225/250/275 Installation Instructions](#)
- [EAF 200/225/250/275 \(SP\) Installation Instructions](#)
- [Faucet Spray Heads Repair and Maintenance Guide](#)
- [Optima Plus EAF 200 Repair and Maintenance Guide](#)
- [Trim Plate Guide](#)
- [Additional Downloads](#)



**COMPLIANCES & CERTIFICATIONS**



(ADA Compliant, ASME A112.18.1 Compliant, ASSE 1070, CEC Compliant, cUPC Certified, UPC Certified, UPC Low Lead Compliant, cUPC Low Lead Compliant, EPD, GPC 0.25 or less, HPD, NYC604.4, Proposition 65, TAS, WELL Building Standard)

**NOTES**

All information contained within this document subject to change without notice.

Looking for other variations of the EAF-200 product? [View the general spec sheet with all options.](#)

[Find a matching soap dispenser for this faucet.](#)

[Find a compatible sink for this faucet.](#)

**WARRANTY**

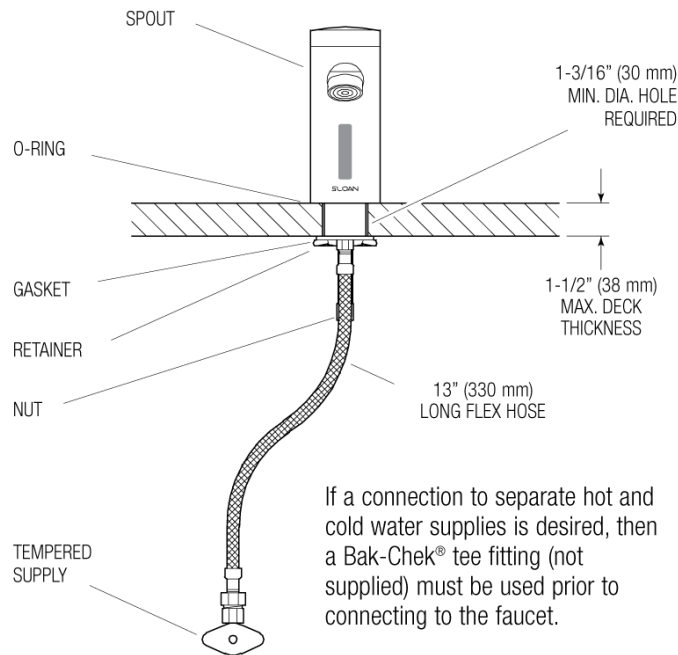
3 Year

Sloan 10500 Seymour Ave, Franklin Park, IL 60131

Phone: 800.982.5839 • Fax: 800.447.8329 • [sloan.com](http://sloan.com)

**ROUGH-IN**

**EAF-200  
Faucets with Single Line Water Supply**



**EAF-200-ISM, EAF-200-ISM-IC AND  
EAF-200-ISM-DPU-IC  
Faucets with Hot and Cold Water Supply**

